

DIN Junction Box - DJB Data sheet

Din Junction Box - DJB

The DIN Junction Box is designed for use where there is a need for more than 1 or 2 controls to be connected to a control box. In design the DIN Junction Box looks like the CB12 / 14 control boxes.

The DIN Junction Box is constructed for connection of up to 4 controls with 8 pin DIN plugs. Furthermore the box is constructed so that all channels for connection are placed on the same side of the box. This gives the box a clean design and makes it easy to mount e.g. in a bed frame.

The DIN Junction Box is IPX6 proof and it is possible to wash the unit in wash tunnels as our other MEDLINE® products.

It is possible to connect a SLS (normally open, to act as a part of a control) to a DIN Junction Box. The SLS must be ordered as a special article as the SLS needs to be mounted with an 8 pin DIN cable.

A further possibility is to order blind plugs for the DJB channels, which are opened but not used, thus ensuring that the box is IPX6 proof. The order number appears from the DJB ordering example. The plugs, o-rings and locking rings can be ordered as spare parts from the Service Dept.



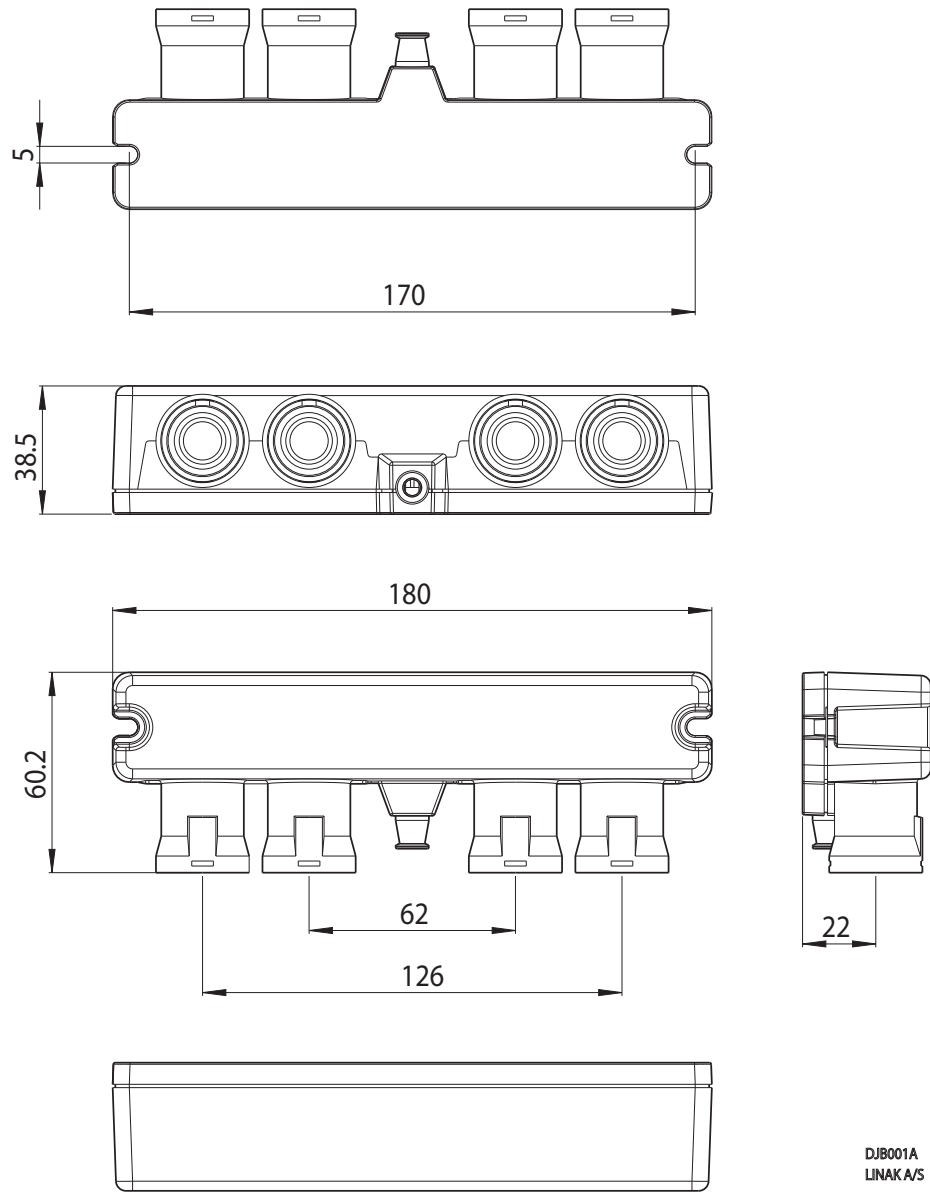
Features and Options:

- Compact and functional design which allows easy mounting
- Connection of up to 4 controls of various types with 8 pin DIN plug
- Colour: Black (RAL 9005), Light grey (RAL 7035)
- Protection class: IPX6
- 3 standard cable lengths
- Possible to connect with SLS (special article - normally open to act as a part of the control)

Usage:

- Compatibility: CB8, CB9, CB12, CBJ and OpenBus™ control boxes
- Operating temperature: +5 C to +40 C
- Storage temperature: -10 C to + 50 C
- Relative humidity: 20% to 80% non-condensing
- Atmospheric pressure: 700 to 1060 hPa
- Operational meters above sea level: Max. 3000 meters
- Latex free: Yes
- Approvals: IEC 60601-1
ANSI/AAMI ES60601-1
CSA CAN/CSA-C22.2 NO. 60601-1
IEC 62366

Dimension:

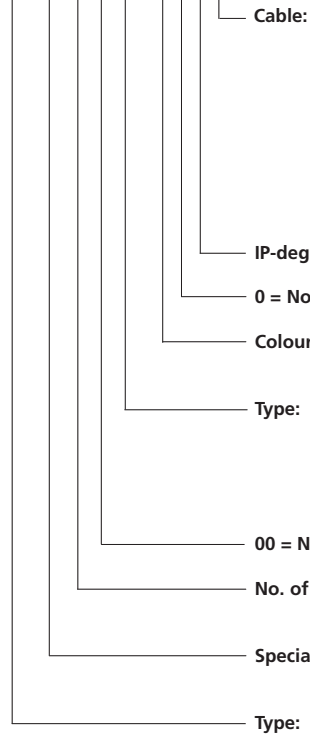


DJB001A
LINAK A/S

DJB

Ordering example:

DJB 000 4 00 0 - 0 0 2 0



0 = Straight Cable 200 mm
 1 = Straight Cable 1000 mm
 2 = Straight Cable 2350 mm
 4 = Straight Cable 200 mm
 5 = Straight Cable 1000 mm
 6 = Straight Cable 2350 mm
 X = Special length

Black	Grey (RAL7035)	
00MLE00-001-0275	00MLE00-004-0275	D
00MLE00-002-1075	00MLE00-005-1075	I
00MLE00-003-2425	00MLE00-020-2425	N
	00MLEMP-004-0275	
	00MLEMP-005-1075	M
	00MLEMP-020-2425	P
00MLExx-XXX-XXXX	00MLExx-XXX-XXXX	

MP = 10P. Modular Plug (RJ45) (for OpenBus™)
 DIN = Not for OpenBus™

2 = IPX6

0 = Not used

Colour:
 0 = Black not for OpenBus™
 1 = Light grey (RAL 7035)

Type:
 0 = Serial connection
 1 = OpenBus™ (HB40 like Converter)
 2 = OpenBus™ Matrix converter with "impulse memory"
 DJB versions with "impulse memory" are not approved according to EN60601
 To use "impulse memory" the control box has to support this feature

00 = Not used

No. of Connections:
 2, 3 or 4
 2 or 3 for OpenBus™ (HB40 like Converter and Matrix converter)

Special/Standard code no.:
 000 is standard
 Special code. Starting from 001 for each type

Type:
 DJB (Din Junction Box)

Blind plugs:

Black = 00912082

Grey = 00912083

O-ring = 0007008

Locking ring = 00911010

Terms of use

The user is responsible for determining the suitability of LINAK products for specific application. LINAK takes great care in providing accurate and up-to-date information on its products. However, due to continuous development in order to improve its products, LINAK products are subject to frequent modifications and changes without prior notice. Therefore, LINAK cannot guarantee the correct and actual status of said information on its products. While LINAK uses its best efforts to fulfil orders, LINAK cannot, for the same reasons as mentioned above, guarantee the availability of any particular product. Therefore, LINAK reserves the right to discontinue the sale of any product displayed on its website or listed in its catalogues or other written material drawn up by LINAK. All sales are subject to the Standard Terms of Sale and Delivery for LINAK. For a copy hereof, please contact LINAK.