



Control Box CA30 - CA40

Data sheet

CA30 - CA40

The control boxes CA30 and CA40 are developed as part of a new control box platform for the care and rehab industry. The control boxes can be mounted separately on the application by means of unique slide-on brackets, but also on several actuator models using a specially designed actuator bracket.

The CA30 and CA40 control boxes are equipped with SMPS (Switch Mode Power Supply) for worldwide operation and optimised performance. The power outputs for channels 1 – 4 are located inside the box. The box has 3 cable exits which make it easy to choose the most suitable cable layout in the application. The control box lid has a double cover and cable lock function. FETs (Field-Effect Transistors), IPX6 Washable DURA™ and a battery port are all standard options.

The CA30 and CA40 communicate with the actuator by means of the built-in end stop switches.



Features:

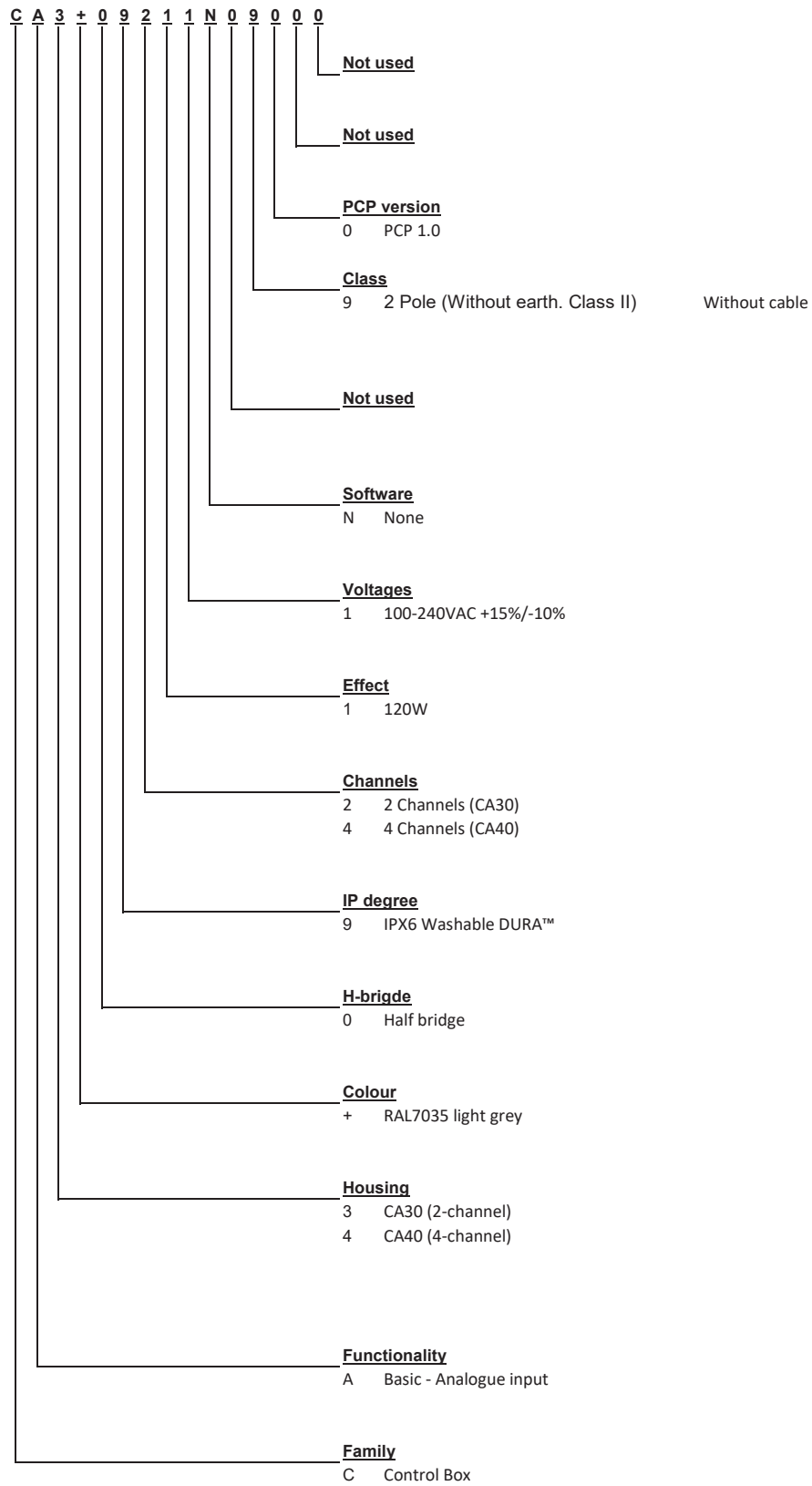
- Power supply: Universal, 120 W power output (Switch Mode Power Supply) 100-240 VAC, 50/60 Hz
- Mains indicator: Yes
- Actuator interface: 2 or 4 channels, 6-pin minifit
- Hand-control interface: 1 port, 10-pin modular plug
- Battery interface: 1 port, 4-pin minifit, (Output 300 mA - no actuator running)
- Standby power: Approx. 0.5 W (230 V)
- Colour: Light grey (RAL 7035)
- Output short circuit protected: Yes
- Control concept: FET (no relay noise)
- Duty cycle: 10 % - 2/18 min. on/off continuous use. Maximum power is 120 W for 80 seconds and 60 W for 40 seconds at 25°C
- Weight: Low weight 0.5 kg
- Actuator compatibility: All standard actuators (signal and power switch)
- Battery charger: Battery input available, No charger, but supports battery with internal charger
- PCP version: PCP 1.0
- EOP: Yes
- IP-Rating: IPX6 Washable DURA™

- Operation: Simultaneous drive (no feedback)
- Max. current: 8 A/CH (peak) total
- Power management: Voltage regulation to ensure max. performance and to limit the output power to max. 120 W
- Safety system: Thermally protected. Short-circuit protected. Hot-plugging protected.
- Protection class: Class 2
- Cable lock: Integrated in lid
- Mounting: Compatible with a wide range of mounting brackets: Bed frame, LA27, LA31, LA40

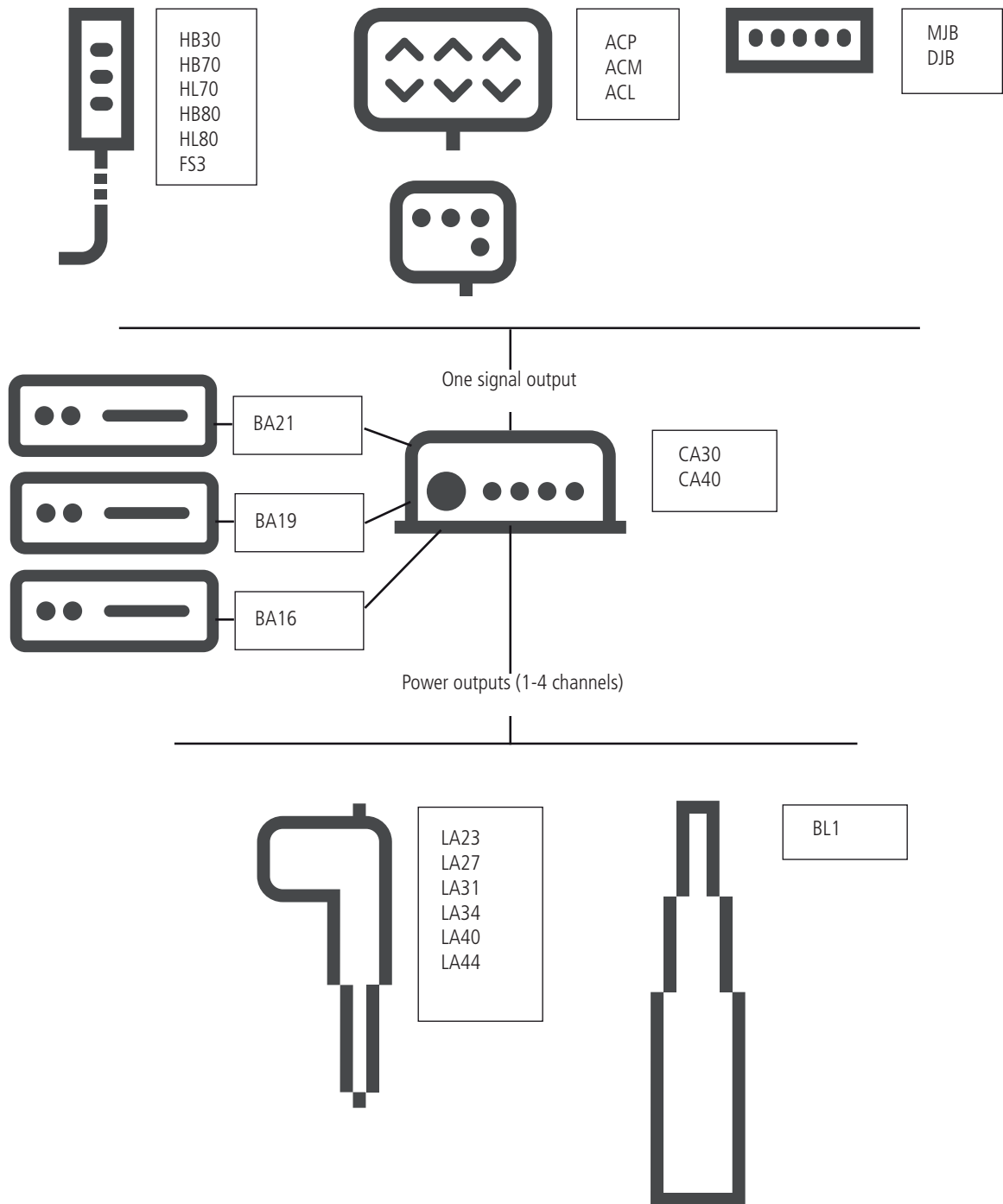
Usage:

- Operation temperature: +5 °C to +40 °C
- Storage temperature: -10 °C to +50 °C
- Relative humidity: 20 % - 80 % - non-condensing
- Atmospheric pressure: 700 to 1060 hPa
- Meters above sea level: Max. 3000 meters
- Approvals: IEC60601-1, ANSI/AAMI ES60601-1, CAN/CSA-22.2 No 60601-1, DENAN Technical Requirements Ministerial Ordinance, Appendix 8, 10

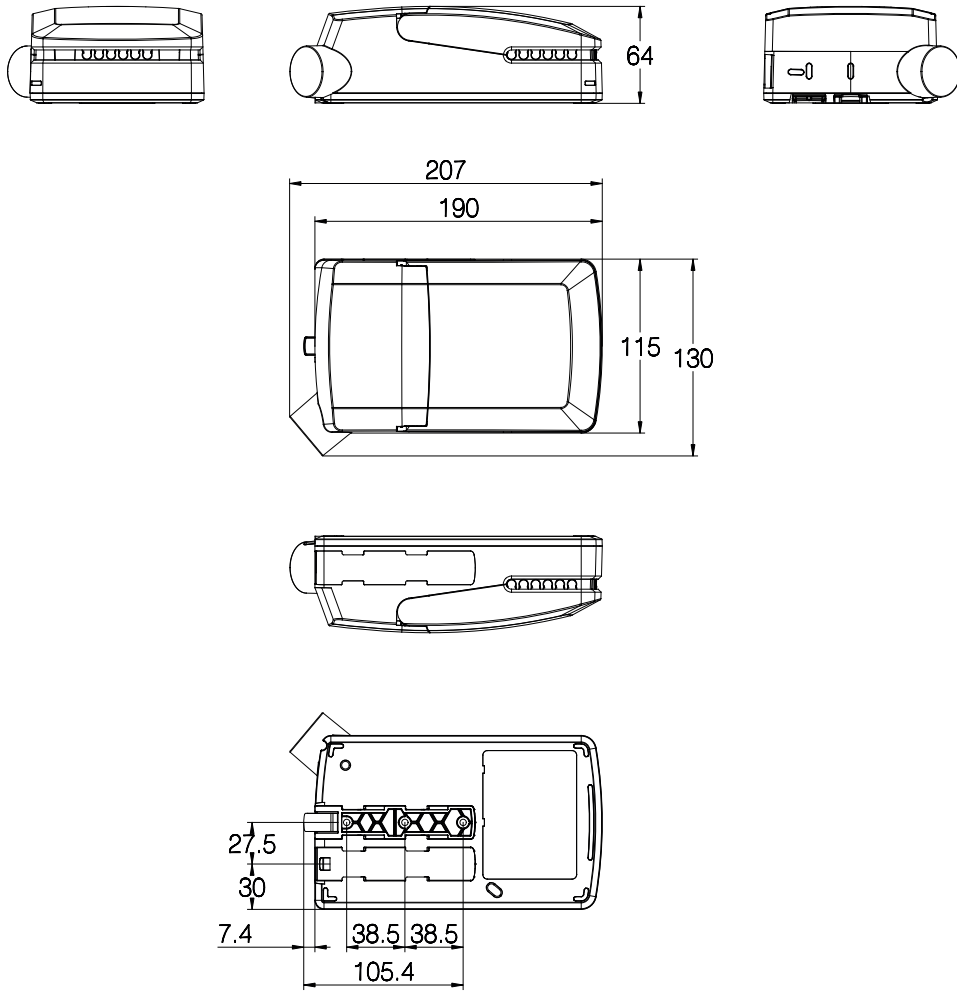
CA30 - CA40
Ordering example:



CA30 - CA40 Platform - System Overview



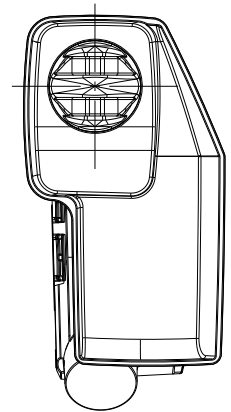
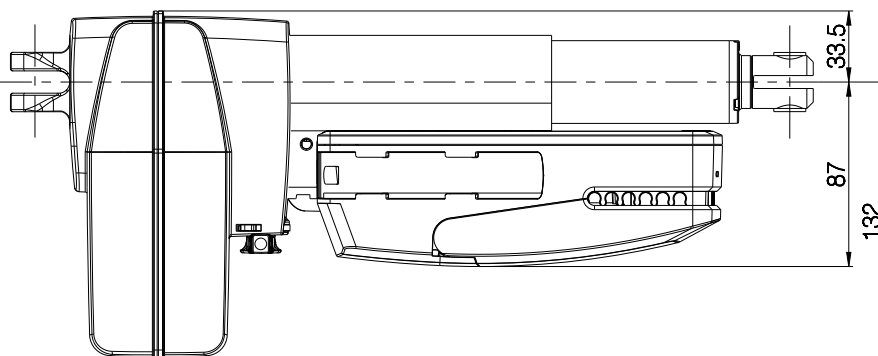
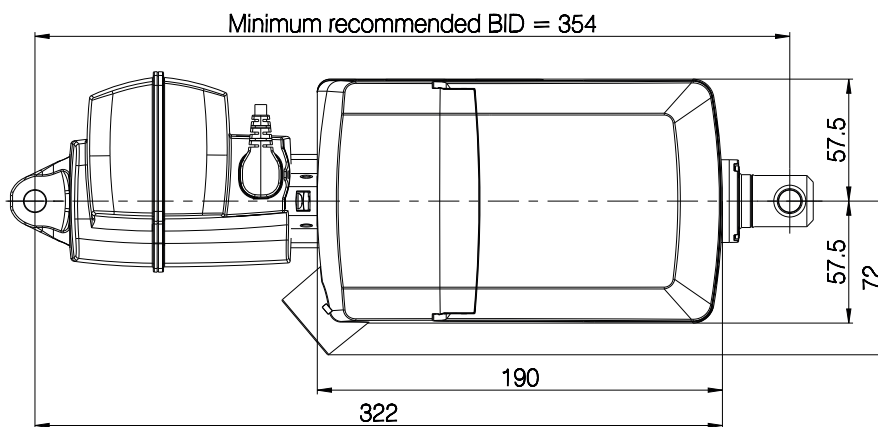
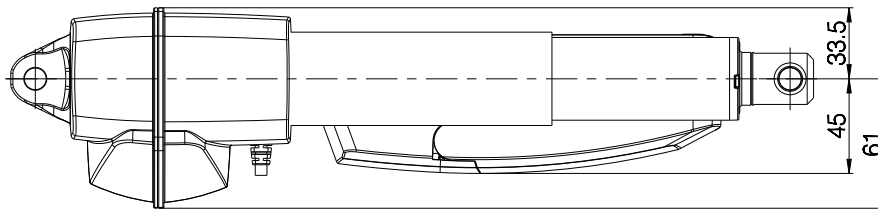
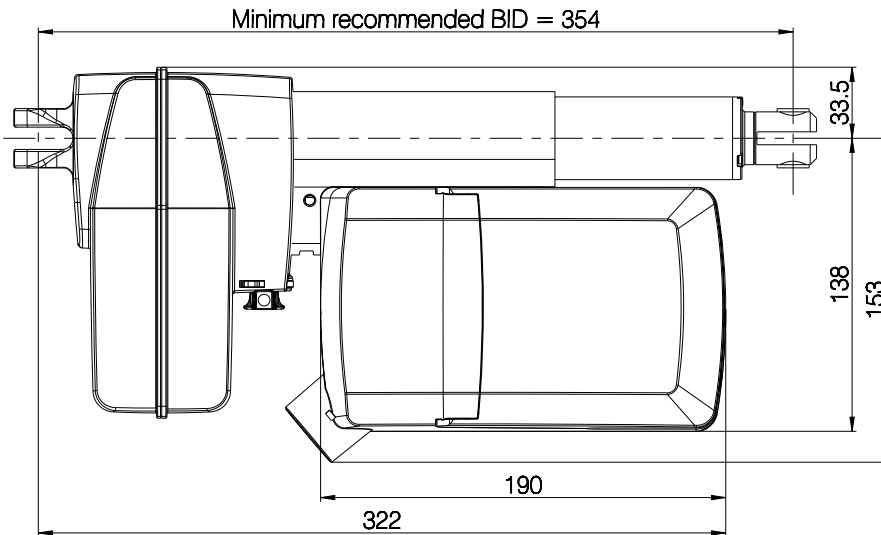
CA30 - CA40
Dimension:



CA30-CA40 mounting:

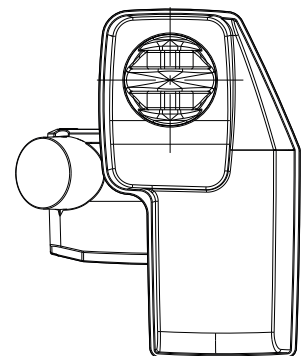
The light weight of CA30/CA40 allows for mounting on an wide range of actuators. For mounting on a LINAK actuator (LA27, LA31 or LA40), a CA30/CA40 mounting bracket is required.

Dimensions - mounted with LA40

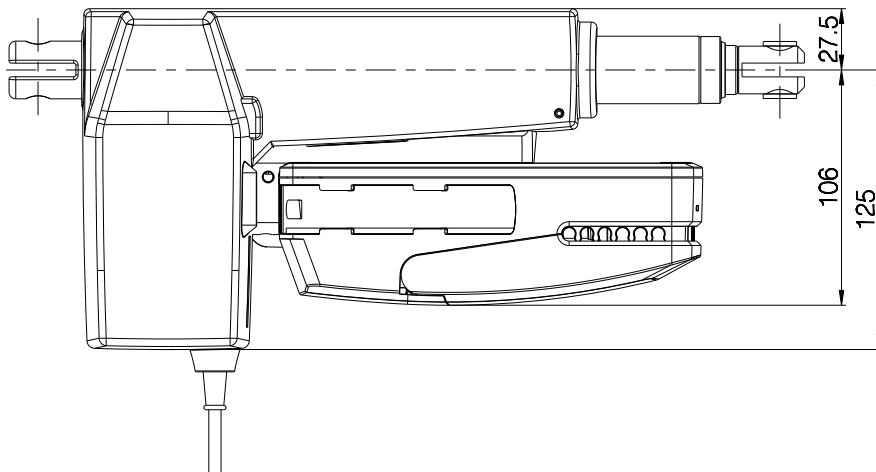
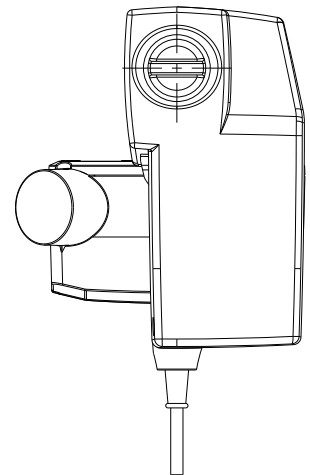
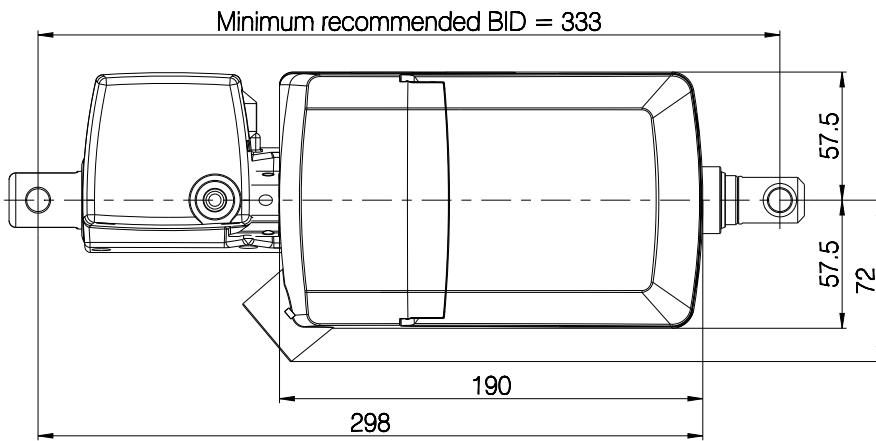
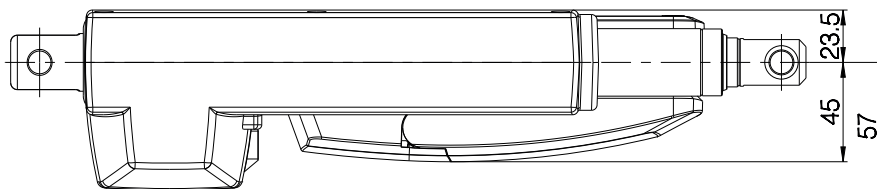
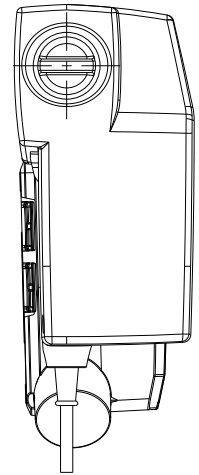
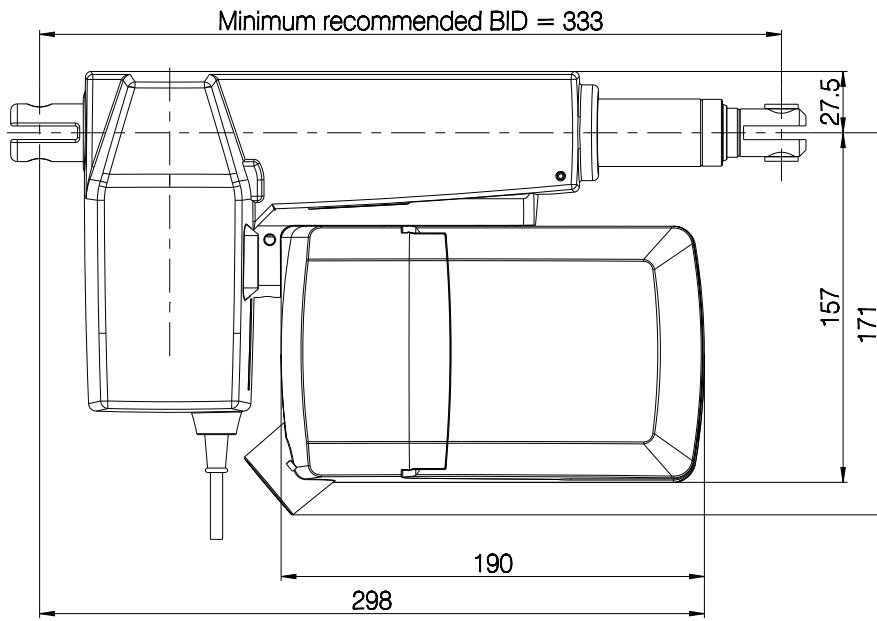


Min. built-in dimensions

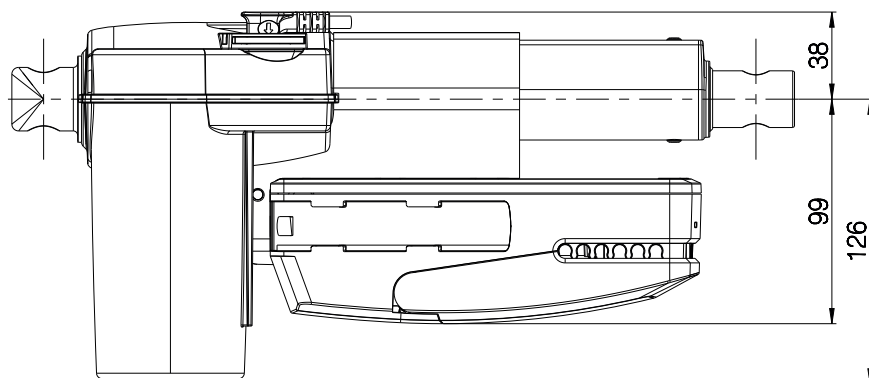
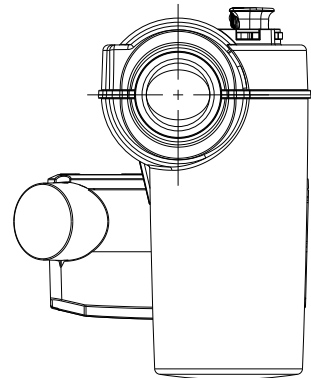
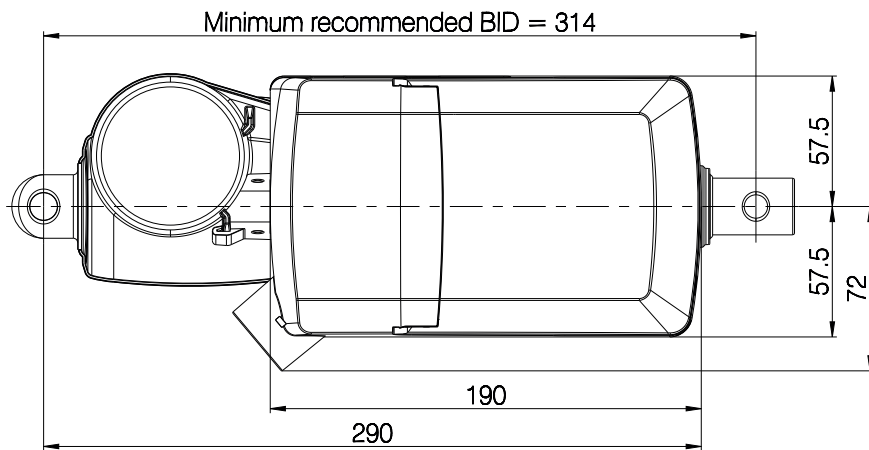
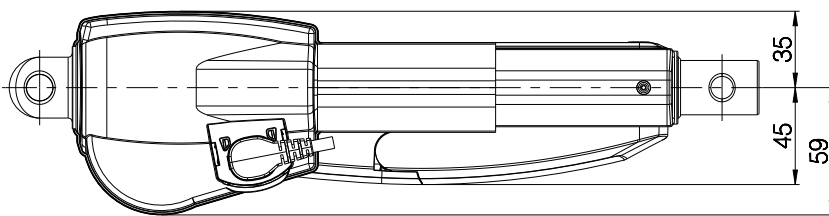
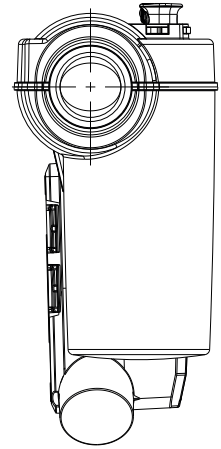
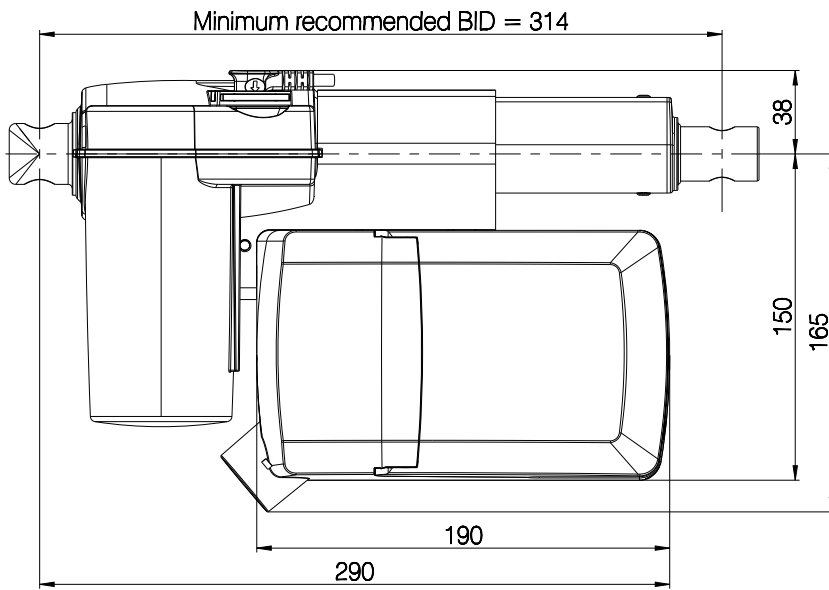
LA27	314
LA31	333
LA40	354



Dimensions - mounted with LA31

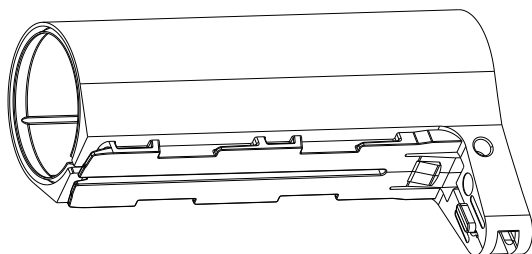
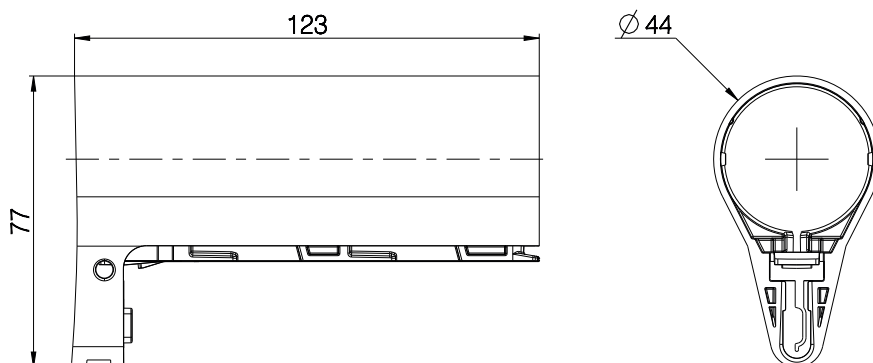


Dimensions - mounted with LA27



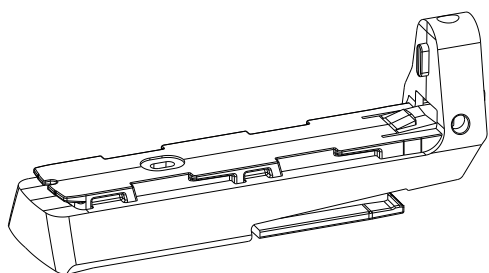
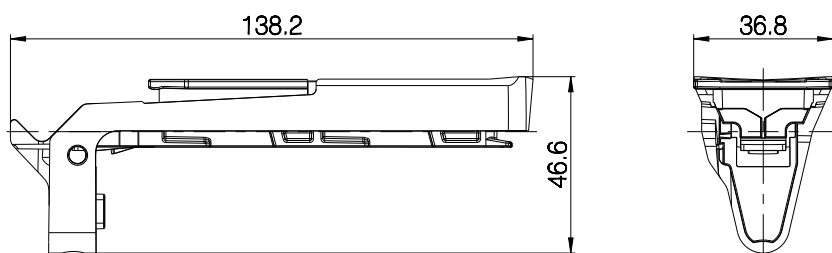
Mounting brackets:

For mounting with LA40 (Article No.: 1015W1002)



Drawing No.: 1015W4002

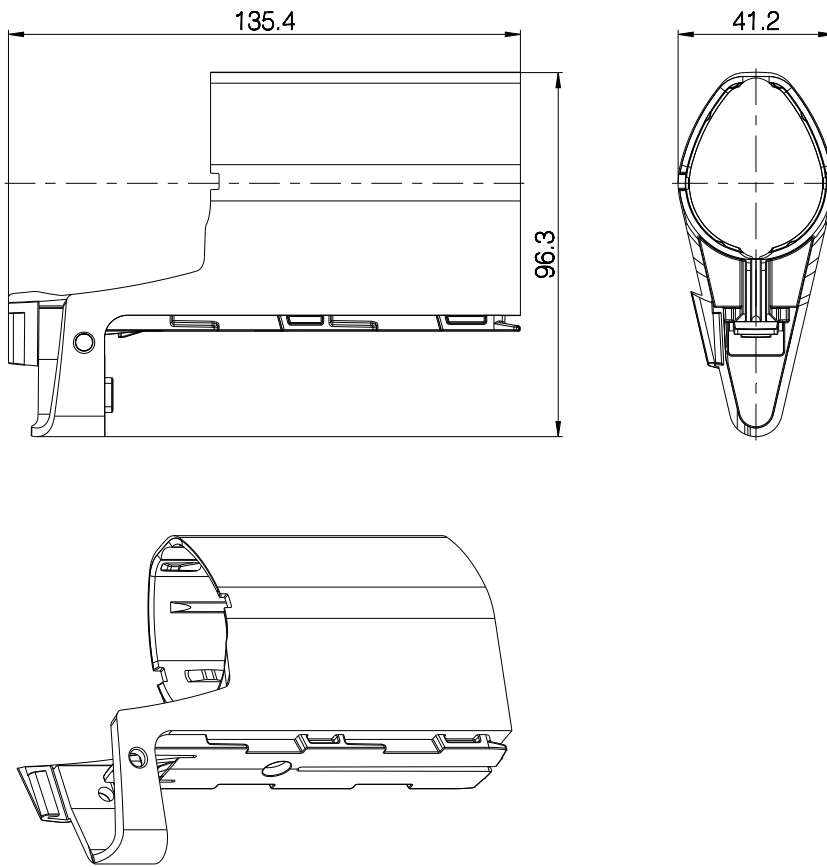
For mounting with LA31 (Article No.: 1015W1004)



Drawing No.: 1015W4004

Mounting brackets:

For mounting with LA27 (Article No.: 1015W9003)

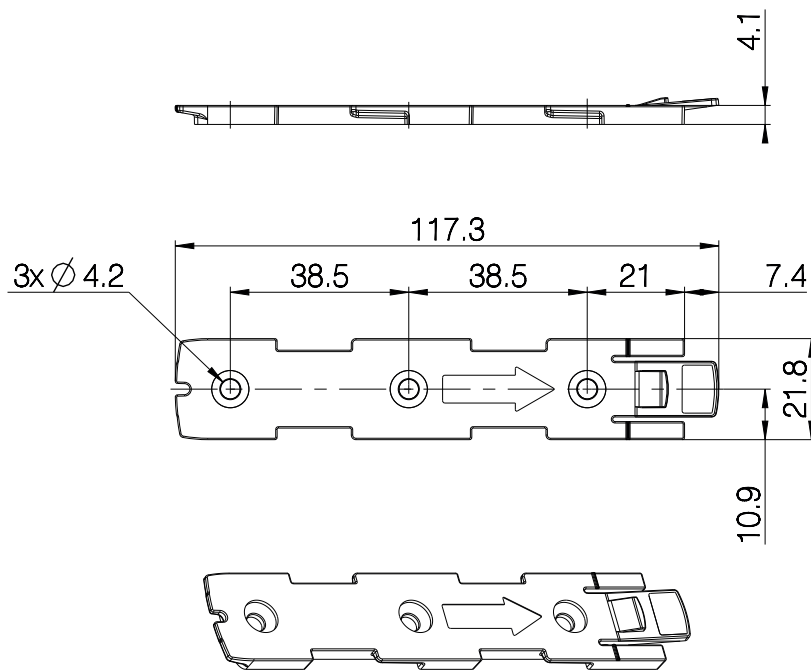


Drawing No: 1015W4003

The adapter 1015W9003 includes a screw that is halfway mounted, thus everything as one part.

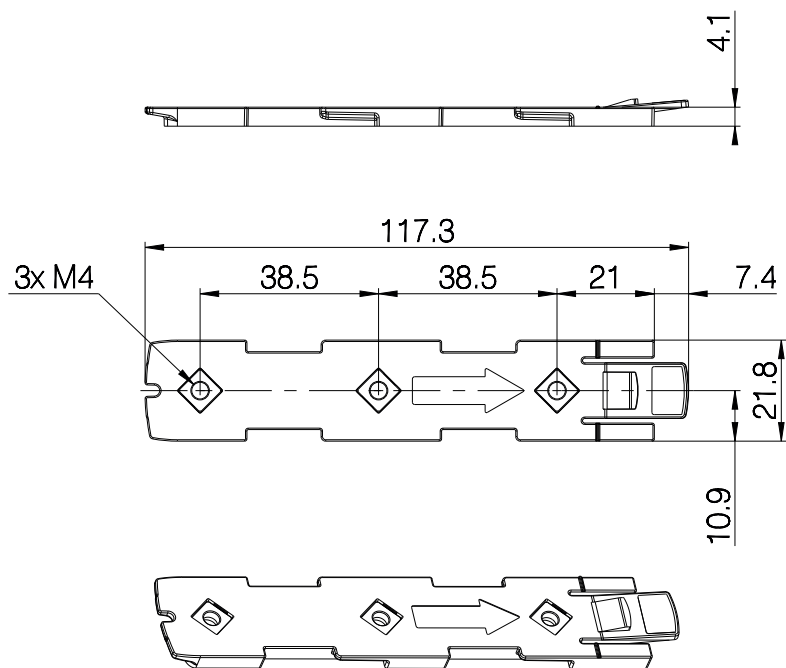
Screw head torx size: T15
Screw torque: 1.2 ± 0.2 Nm

Mounting bracket (frame flat) - article No. 1015W1001:



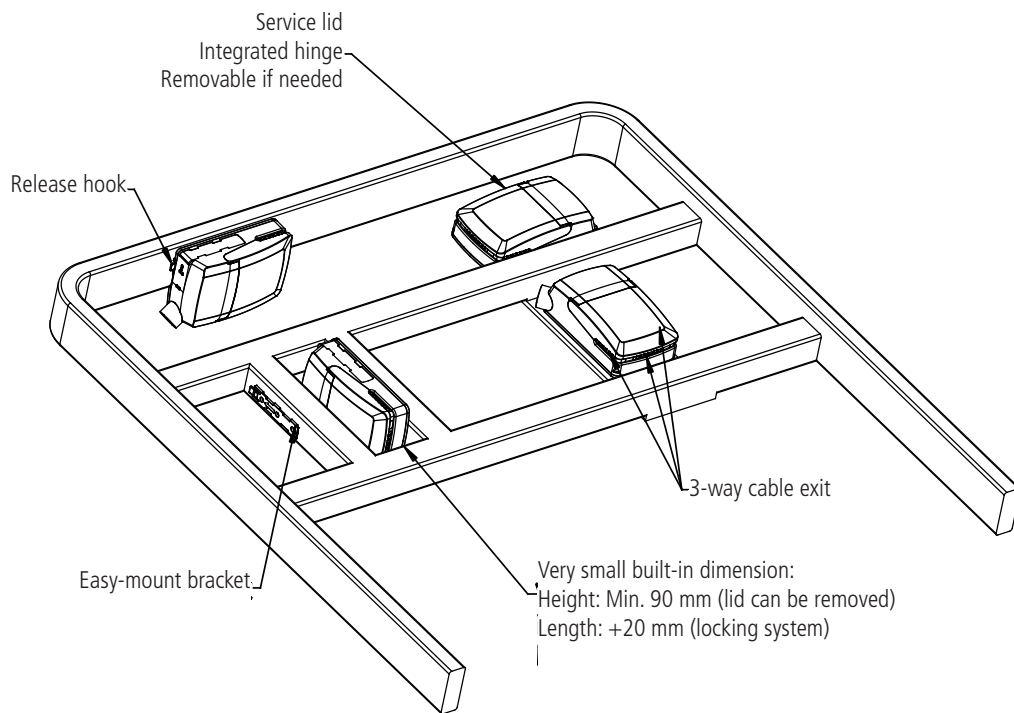
Drawing No.: 1015W4001

Mounting bracket (frame flat) w/M4 nuts - article No. 1015W9009:



Drawing No.: 1015W4009

CA30-CA40 - mounted on frame:



Drawing No.: 1013W4008

It is recommended to mount the CA30/CA40 in a position that allows water to escape.

Recommended torque: 0.6Nm +/-0.1

The bracket can be mounted to the bed frame or any other application by means of one of the following mounting procedures:

- 1) M6 nut to be placed in bracket and fixed with M6 bolt from the rear side.
- 2) M5 machine screw with flat washer to be fixed through bracket with nut on the rear side.
- 3) Self-tapping screw to be placed through bracket and onto the frame.

Mounting of cables and cable lock:

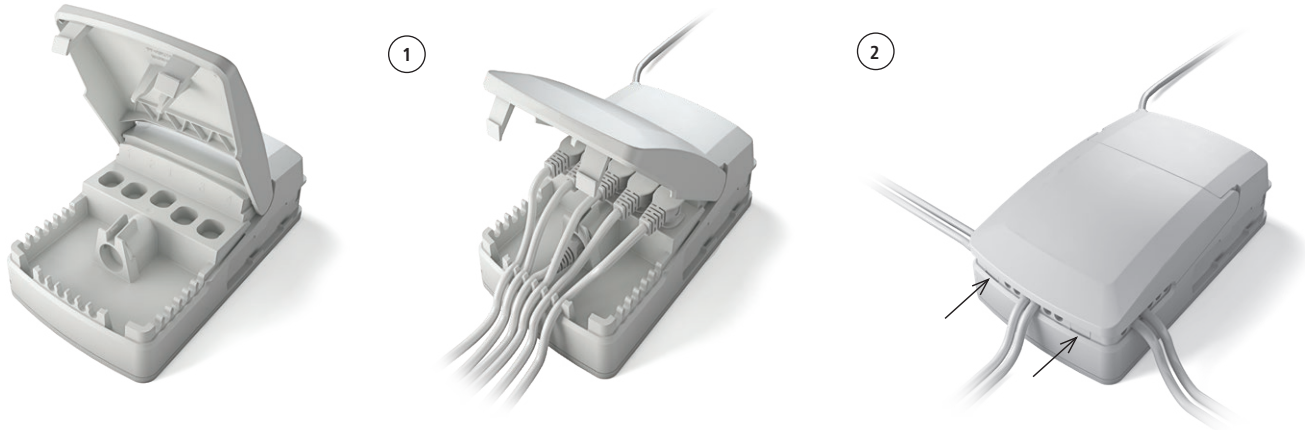
The control boxes CA30/CA40 have a uniquely designed cable lid. The lid also works as an integrated cable lock when closed.

- 1) Mount cable plugs in control box
- 2) Close lid until lock snaps into place (see red arrows)

To allow free access to the cables, the lid has a rest position when completely opened.

It is possible to remove the lid by lifting it a few degrees and pulling it away from the housing under tight mounting conditions.

See illustrations:



Cable management:

LED indicator



CA30/CA40 is equipped with a three-colour LED for indication of mains or battery operation.

Terms of use

The user is responsible for determining the suitability of LINAK products for specific application. LINAK takes great care in providing accurate and up-to-date information on its products.

However, due to continuous development in order to improve its products, LINAK products are subject to frequent modifications and changes without prior notice. Therefore, LINAK cannot guarantee the correct and actual status of said information on its products.

While LINAK uses its best efforts to fulfil orders, LINAK cannot, for the same reasons as mentioned above, guarantee the availability of any particular product. Therefore, LINAK reserves the right to discontinue the sale of any product displayed on its website or listed in its catalogues or other written material drawn up by LINAK.

All sales are subject to the Standard Terms of Sale and Delivery for LINAK. For a copy hereof, please contact LINAK.