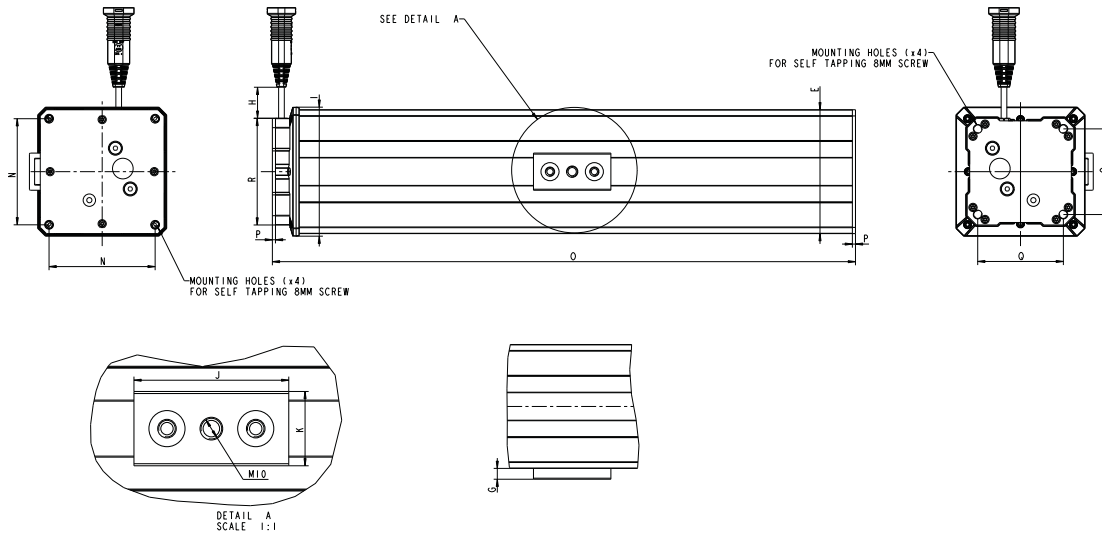
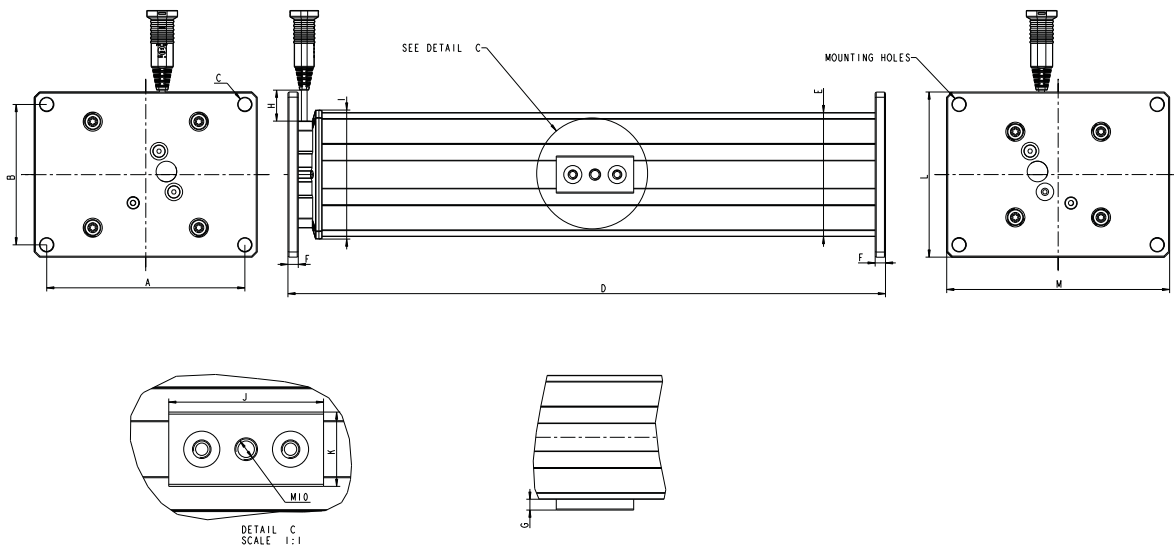


With 3 mm endplates



With 10 mm endplates



| | in | mm | | in | mm |
|---|---------------------|------------------|---|---------------------|------------------|
| A | 7.56 ± 0.02 | 192 ± 0.5 | L | 6.30 ± 0.20 | 160 ± 0.5 |
| B | 5.35 ± 0.02 | 136 ± 0.5 | M | 8.50 ± 0.20 | 216 ± 0.5 |
| C | ∅0.51 | ∅13 | N | 5.08 ± 0.01 | 129 ± 0.3 |
| D | Stroke + 7.95 ± 0.2 | Stroke + 202 ± 4 | O | Stroke + 7.40 ± 0.2 | Stroke + 188 ± 4 |
| E | 5.748 SQ. | 146 SQ. | P | 0.12 | 3 |
| F | 0.39 | 10 | Q | 3.98 ± 0.01 | 101 ± 0.3 |
| G | 0.41 | 10.5 | R | 4.92 SQ. | 125 SQ. |
| H | 88.58 ± 0.20 | 2250 ± 50 | S | 4.72 SQ. | 120 SQ. |
| I | 5.94 SQ. | 151 SQ. | T | 4.07 SQ. | 103.3 SQ. |
| J | 3.95 | 75 | U | 3.26 ± 0.01 | 82.92 ± 0.3 |
| K | 1.42 | 36 | V | 4.04 ± 0.01 | 102.62 ± 0.3 |

All rights reserved

Date:

17 June 2010

Description:

Lifting Column LC22



WE IMPROVE YOUR LIFE