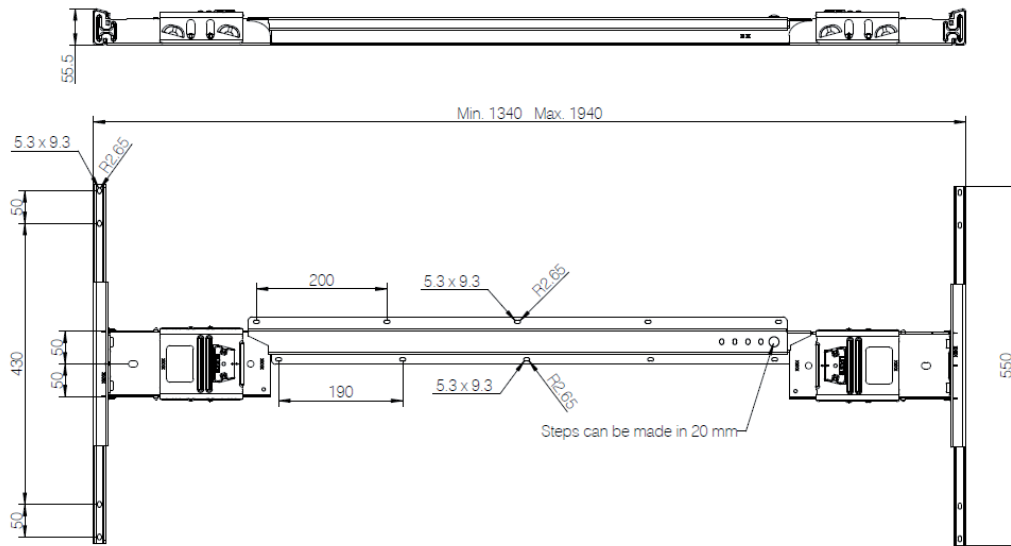


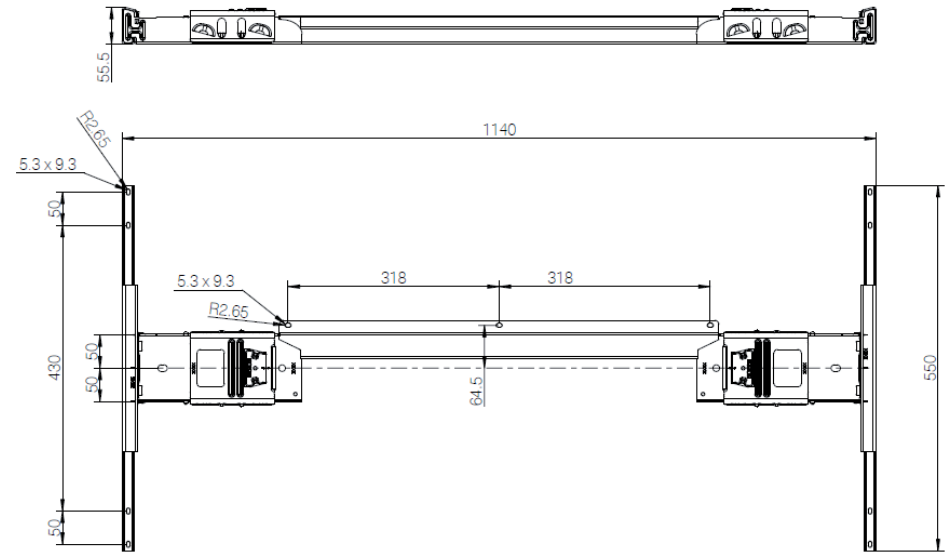
Dimension

Kick & Click Adjustable



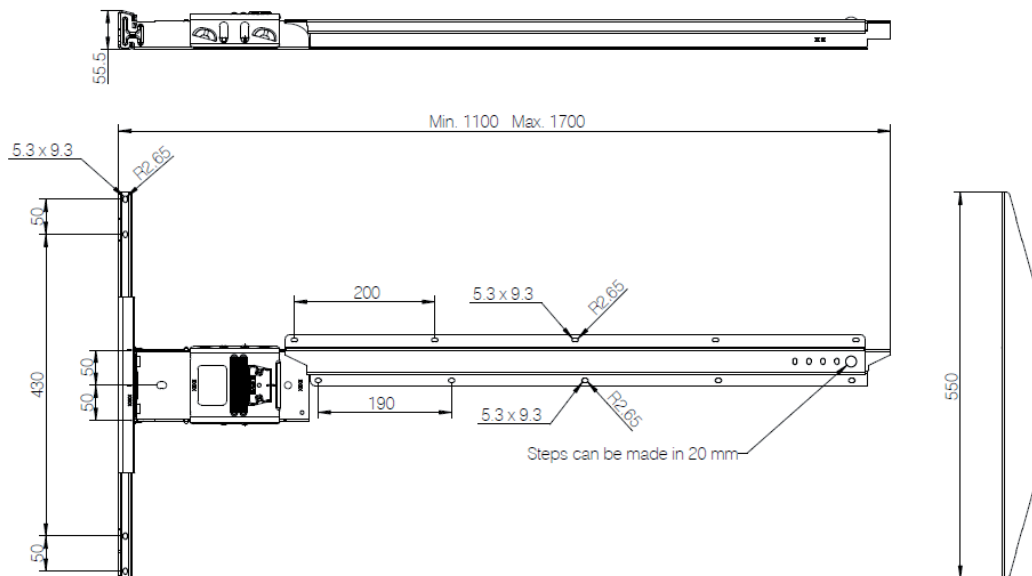
The Kick & Click Adjustable system includes a telescopic inner and outer rail each with the base welded onto it.

Kick & Click Fixed



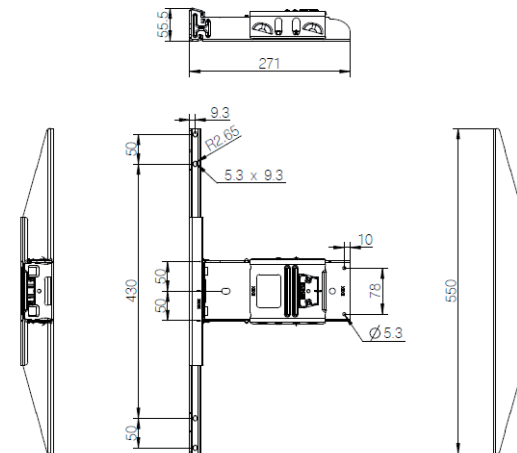
Compared to the Kick & Click Adjustable system the Kick & Click Fixed system only consists of one rail with the base welded onto it in both ends.

Kick & Click 3.- leg kit



The Kick & Click 3rd leg kit system includes a telescopic inner and outer rail and has only one base, which is welded onto the outer rail.

Kick & Click Base



The Kick & Click Base system is without the inner and the outer rail. The system is preferred if the OEM want to weld his own rail on the Base, or if the desk design does not need a rail e.g. due to tabletop thickness. The Kick & Click Base system can also be used for a three-legged desk.

All rights reserved

Date:

23 May 2019

Description:

Accessory Kick & Click™



WE IMPROVE YOUR LIFE