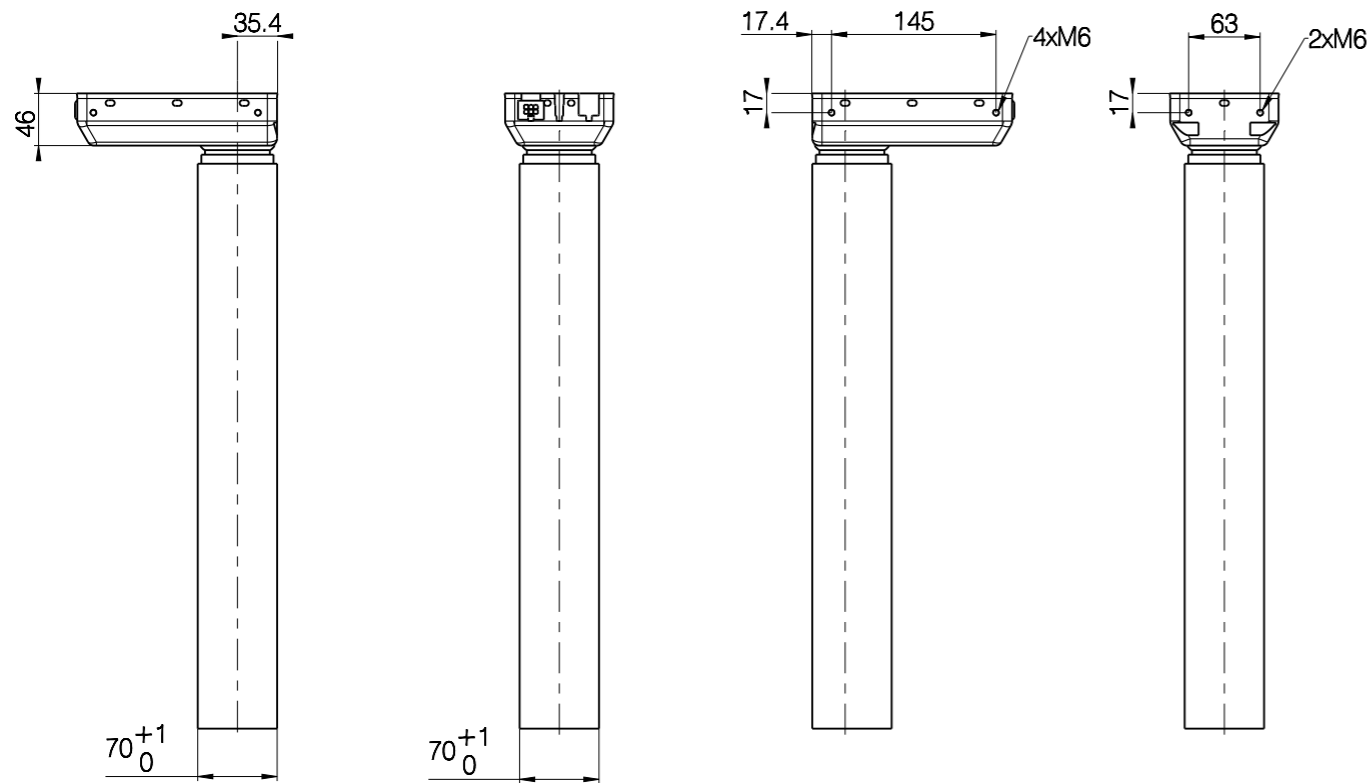
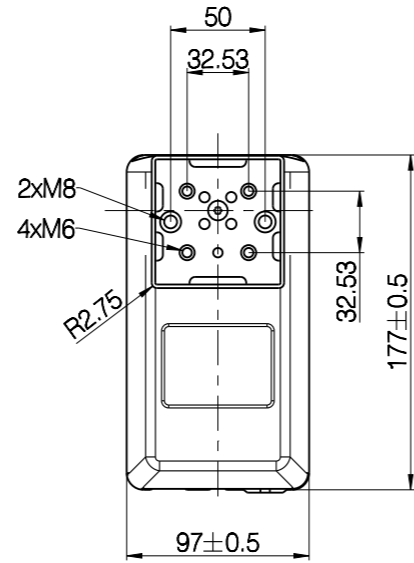
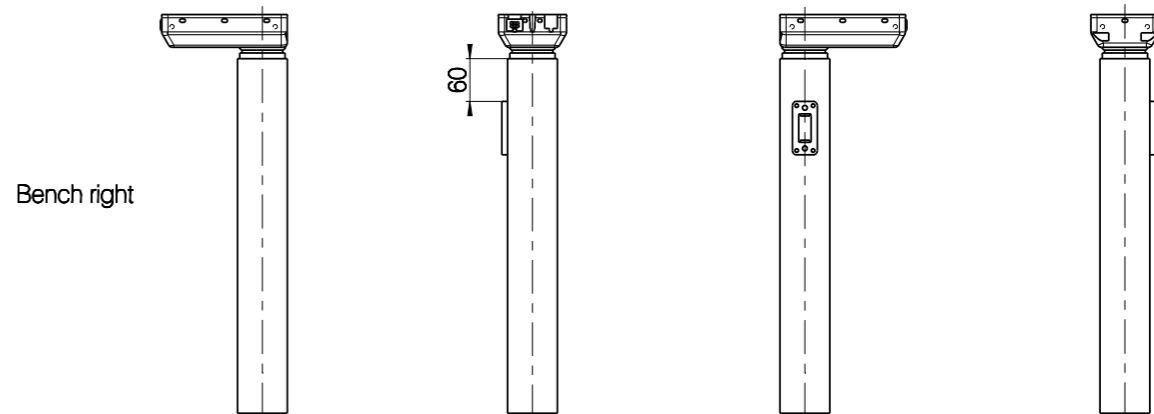
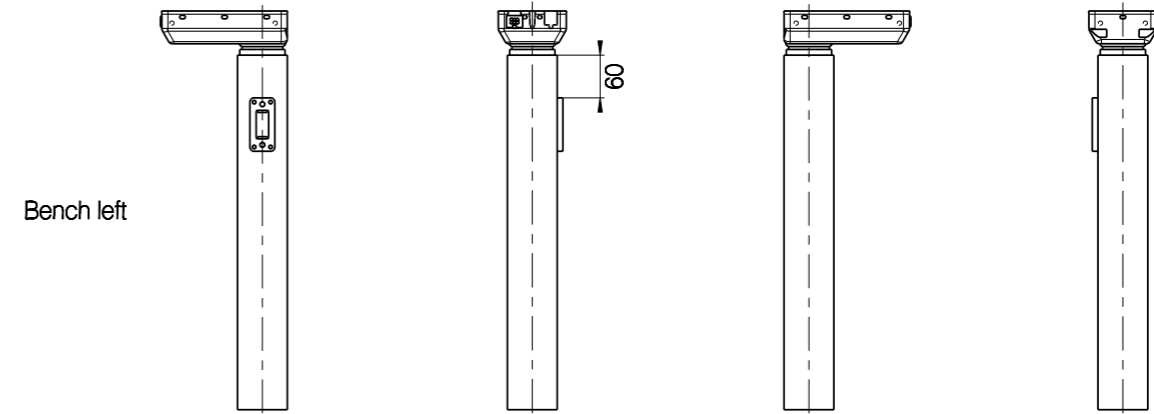
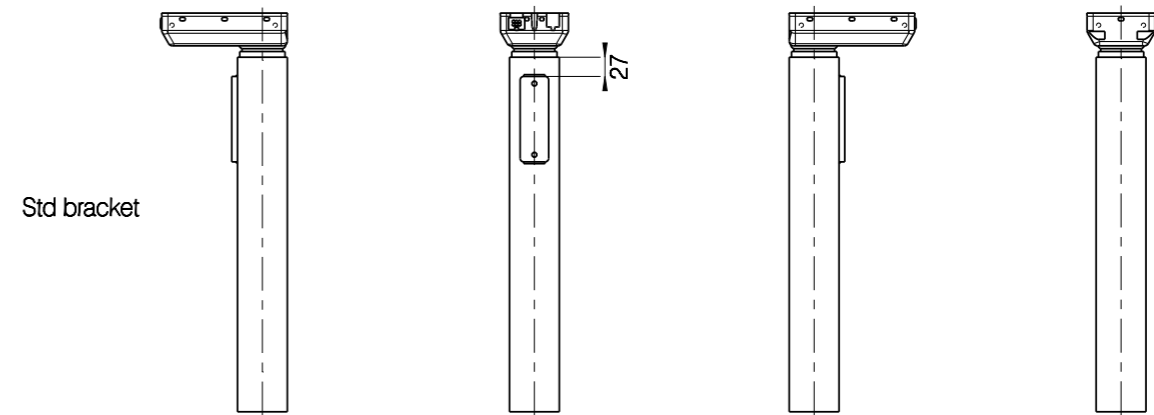


Dimensions			
Combination code	S (Stroke)	B (Built-in)	O (Outer profile)
DL19xxxxx650560	650	560	498



Bracket option			
Combination code	Std bracket	Bench left	Bench right
DL19xx1xxxxxxxx	X		
DL19xxLxxxxxxxx		X	
DL19xxRxxxxxxxx			X
DL19xxLxxSxxxxx		X	
DL19xxRxxMxxxxx			X



All rights reserved

Date:
28 January 2020

Description:

Lifting Column DL19

